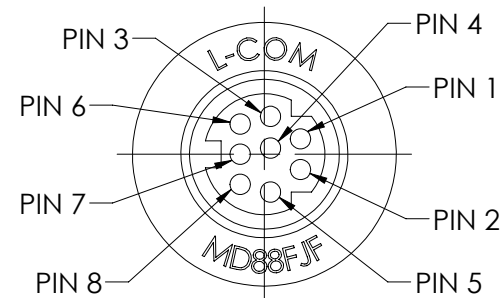
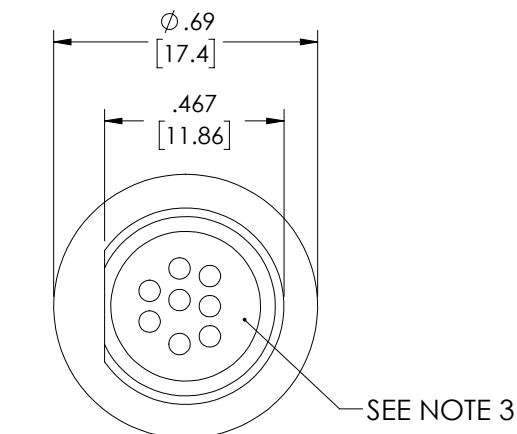
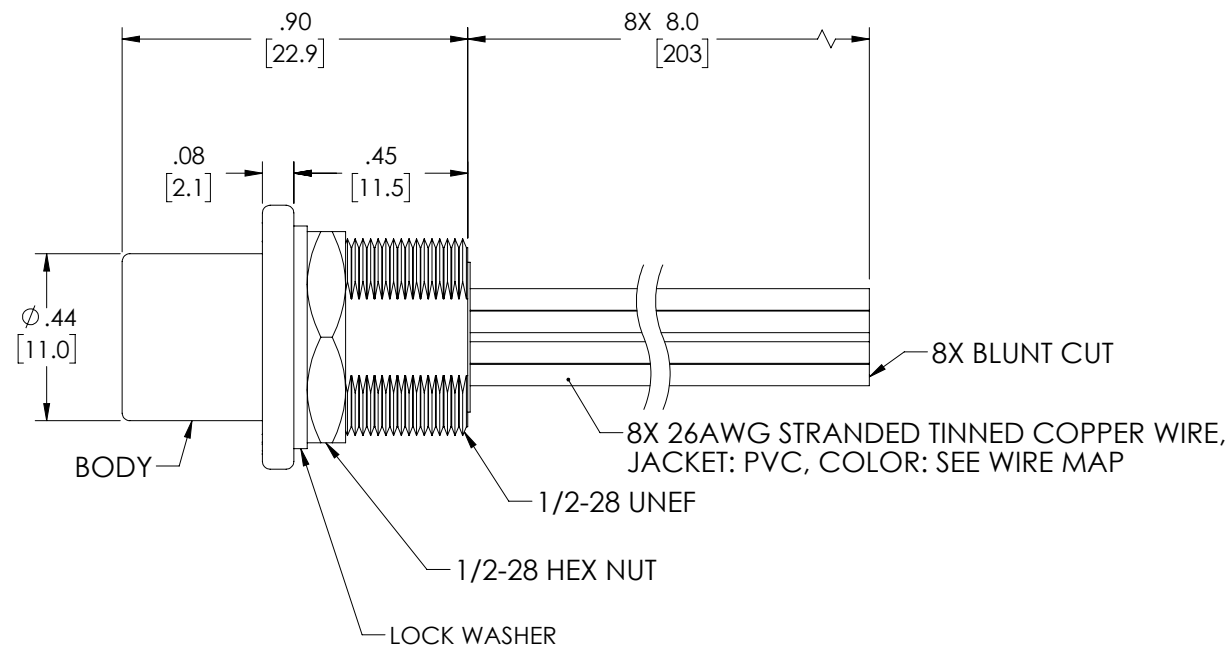


THE INFORMATION CONTAINED IN THIS DRAWING IS THE SOLE PROPERTY OF L-COM, INC. ANY REPRODUCTIONS IN PART OR WHOLE WITHOUT THE WRITTEN PERMISSION OF L-COM, INC. IS PROHIBITED.

REVISIONS			
REV	DESCRIPTION	DATE	APPROVED BY
A	DRAWING REPLACES MD88FJF-OD1	10/13/2014	DDESJARDIN
B	ECN 9926: REMOVED PIN MARKINGS, REMOVED ROHS STATEMENT	06/25/2019	BGATES



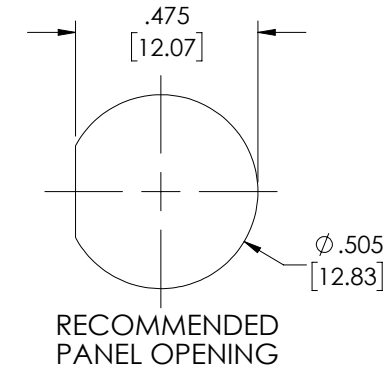
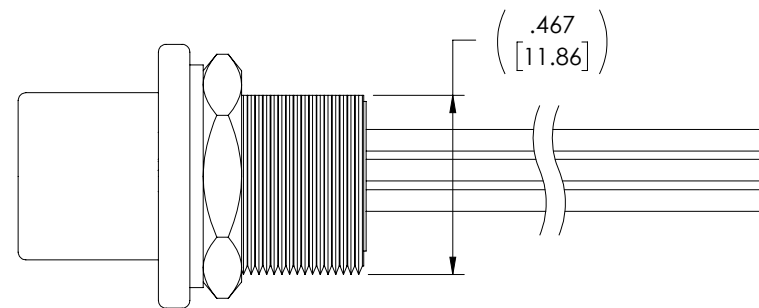
8 POSITION
MINIATURE CIRCULAR DIN



NUT AND WASHER
REMOVED FOR CLARITY



WIRE MAP	
PIN NUMBER	WIRE COLOR
PIN 1	BLACK
PIN 2	WHITE
PIN 3	RED
PIN 4	GREEN
PIN 5	BROWN
PIN 6	BLUE
PIN 7	YELLOW
PIN 8	PURPLE



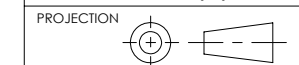
RECOMMENDED
PANEL OPENING

NOTES:

1. THE D-FLAT ON THE THREADED BARREL OF ADAPTOR MUST BE ALIGNED AS SHOWN ABOVE.
2. FINISH OF EXTERNAL METAL PARTS NICKEL PLATED.
3. REAR OF HOUSING IS POTTED. MATERIAL: SILICONE RESIN CONFORMAL COATING. COLOR; BLACK
4. CABLE ASSEMBLY SHALL BE TESTED FOR CONTINUITY.
5. CABLE ASSEMBLY SHALL BE INDIVIDUALLY PACKAGED IN ACCORDANCE WITH L-COM SPECIFICATION PS-0031.



UNLESS OTHERWISE SPECIFIED,
DIMENSIONS ARE IN INCHES [mm]
OVERALL CABLE LENGTH TOLERANCE:
≤12 [305] = +1 [25] / -0
>12 [305] ≤60 [1524] = +2[51] / -0
>60 [1524] ≤120 [3048] = +4 [102] / -0
>120 [3048] ≤300 [7620] = +6 [152] / -0
>300 [7620] = +5% / -0%
ALL OTHER DIMENSIONAL TOLERANCES:
.X = ±.2 [5.08]
.XX = ±.02 [5.1]
.XXX = ±.005 [1.3]



APPROVALS	DATE
DZINN	06/25/2019
DFRISIELLO	06/25/2019
BGATES	06/25/2019

CONFIGURATION DETAILS OF
UNDIMENSIONED FEATURES
MAY VARY

COLOR VARIATIONS
MAY OCCUR



CATEGORY I/O PRODUCTS

PRODUCT DESCRIPTION
ADPT, MD8F/LEADS BLKHD FRT MNT

SIZE	FSCM NO.	DWG. NO.	REV.
B	43321	MD88FJF	B